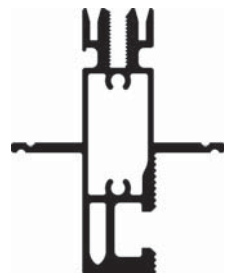


### Threaded slot rail

Select finish to match PV module frames.

Part no.	Description	Nominal shipping data	
		inches	lbs.
<b>Dark bronze anodized</b>			
302011	8 ea. 192 in.	195 × 6 × 8	144
302012	1 ea. 192 in. (2 rails minimum)	195 × 2 × 3	
302013	8 ea. 96 in.	99 × 6 × 8	72
302014	1 ea. 96 in.	99 × 2 × 3	10
<b>Clear anodized</b>			
302015	8 ea. 192 in.	195 × 6 × 8	144
302016	1 ea. 192 in. (2 rails minimum)	195 × 2 × 3	
302017	8 ea. 96 in.	99 × 6 × 8	72
302018	1 ea. 96 in.	99 × 2 × 3	10



### Cap strips for 34–36 mm modules

**C** For GE Energy and Kyocera modules. Select finish to match PV module frames.  
**Requires 3/4-inch cap strip screw.**



Part no.	Description	Nominal shipping data	
		inches	lbs.
<b>Dark bronze anodized</b>			
321103	8 ea. 192 in.	195 x 2 x 3	42
321132*	1 ea. 192 in.	195 x 2 x 3	
321110	8 ea. 96 in.	99 x 2 x 3	23
321111	1 ea. 96 in.	99 x 2 x 3	6
<b>Clear anodized</b>			
321106	8 ea. 192 in.	195 x 2 x 3	42
321137*	1 ea. 192 in.	195 x 2 x 3	
321112	8 ea. 96 in.	99 x 2 x 3	23
321113	1 ea. 96 in.	99 x 2 x 3	4

### Cap strips for 38–40 mm modules

**D** For Isofoton, Photowatt (greater than 100 watts), Shell (greater than 100 watts).  
**Requires 3/4-inch cap strip screw.**



Part no.	Description	Nominal shipping data	
		inches	lbs.
<b>Clear anodized</b>			
321107	8 ea. 192 in.	195 x 2 x 3	42
321138*	1 ea. 192 in.	195 x 2 x 3	
321114	8 ea. 96 in.	99 x 2 x 3	23
321115	1 ea. 96 in.	99 x 2 x 3	6

### Cap strips for 49–51 mm modules

**E** For BP Solar, select finish to match PV module frame.  
Use clear for Schott Solar ASE series.  
**Requires 1/4-inch cap strip screw.**



Part no.	Description	Nominal shipping data	
		inches	lbs.
<b>Dark bronze anodized</b>			
321104	8 ea. 192 in.	195 x 2 x 3	45
321134*	1 ea. 192 in.	195 x 2 x 3	
321116	8 ea. 96 in.	99 x 2 x 3	25
321117	1 ea. 96 in.	99 x 2 x 3	6
<b>Clear anodized</b>			
321108	8 ea. 192 in.	195 x 2 x 3	45
321140*	1 ea. 192 in.	195 x 2 x 3	
321118	8 ea. 96 in.	99 x 2 x 3	25
321119	1 ea. 96 in.	99 x 2 x 3	6

### Cap strips for 45–47 mm modules

**F** Use dark bronze for Sharp ND-167U3A, SunPower SPR200, SPR210. Use clear for Mitsubishi, other Sharp unipped modules, SunPower SPR90.  
**Requires 1 in. cap strip screw.**



Part no.	Description	Nominal shipping data	
		inches	lbs.
<b>Dark bronze anodized</b>			
321126	8 ea. 192 in.	195 x 2 x 3	45
321133*	1 ea. 192 in.	195 x 2 x 3	
321127	8 ea. 96 in.	99 x 2 x 3	25
321128	1 ea. 96 in.	99 x 2 x 3	6
<b>Clear anodized</b>			
321109	8 ea. 192 in.	195 x 2 x 3	45
321139*	1 ea. 192 in.	195 x 2 x 3	
321120	8 ea. 96 in.	99 x 2 x 3	25
321121	1 ea. 96 in.	99 x 2 x 3	6

### Cap strips for Sharp lipped modules

**G** **Requires 1-inch cap strip screw.**



Part no.	Description	Nominal shipping data	
		inches	lbs.
<b>Dark bronze anodized</b>			
321105	8 ea. 192 in.	195 x 2 x 3	45
321136*	1 ea. 192 in.	195 x 2 x 3	
321122	8 ea. 96 in.	99 x 2 x 3	25
321123	1 ea. 96 in.	99 x 2 x 3	6

### Cap strips for Sanyo lipped modules

**H** **Requires 3/4-inch cap strip screw.**



Part no.	Description	Nominal shipping data	
		inches	lbs.
<b>Dark bronze anodized</b>			
321129	8 ea. 192 in.	195 x 2 x 3	42
321135*	1 ea. 192 in.	195 x 2 x 3	
321130	8 ea. 96 in.	99 x 2 x 3	23
321131	1 ea. 96 in.	99 x 2 x 3	6

\*Requires a 2 cap strip and 2 rail minimum order.

### Cap strip screws for threaded slot rail

Check cap strip listing to determine correct screw length. Select finish to match rails and cap strips. All are 1/4"-20 Type F thread-cutting screws, 18-8 stainless steel.

Part no.	Description	Nominal shipping weight (lbs)
<b>3/4-inch screws for cap strip sizes C, D, and H</b>		
321153	100 ea., dark	2
321156	10 ea., dark	
321159	100 ea., clear	2
321162	10 ea., clear	
<b>1-inch screws for cap strip sizes F and G</b>		
321154	100 ea., dark	2
321157	10 ea., dark	
321160	100 ea., clear	2
321163	10 ea., clear	
<b>1 1/4-inch screws for cap strip size E</b>		
321155	100 ea., dark	2
321158	10 ea., dark	
321161	100 ea., clear	2
321164	10 ea., clear	

### Serrated L-feet

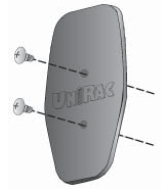
Select finish to match rails. Includes s/s bolts and flange nuts. Lag bolts are not included.



Part no.	Description	Nominal shipping weight (lbs)
310065	20 ea., dark bronze	5
310066	1 ea., dark bronze	
310067	20 ea., clear	5
310068	1 ea., clear	

### End caps for rails

UV resistant plastic, with matching screws.



Part no.	Description	Nominal shipping weight (lbs)
310226	20 ea., black	1
310225	2 ea., black	

### Flat-top one-piece steel standoffs

Shaft outside diameter = 1 5/8 inches. Includes s/s hardware and 2 lag bolts. Call UniRac for custom lengths.



Part no.	Description	Nominal ship wt. (lbs)
310051	12 ea. 3 in. standoffs	21
310009	1 ea. 3 in. standoff	2
310052	12 ea. 4 in. standoffs	23
310010	1 ea. 4 in. standoff	2
310053	12 ea. 6 in. standoffs	26
310011	1 ea. 6 in. standoff	2
310054	12 ea. 7 in. standoffs	28
310012	1 ea. 7 in. standoff	2
990341	Lag bolt removal credit, per standoff	

### Flat-top two-piece aluminum standoffs

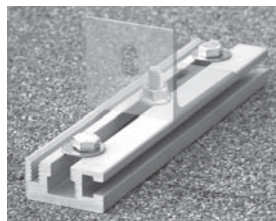
Shaft outside diameter = 1 5/8 inches. Includes s/s hardware and 2 lag bolts.



Part no.	Description	Nominal ship wt. (lbs)
<b>Dark bronze anodized</b>		
310653	12 ea. 3 in. standoffs	9
310603	1 ea. 3 in. standoff	1
310654	12 ea. 4 in. standoff	10
310604	1 ea. 4 in. standoff	1
310656	12 ea. 6 in. standoffs	12
310606	1 ea. 6 in. standoff	1
310657	12 ea. 7 in. standoffs	13
310607	1 ea. 7 in. standoff	1
<b>Clear anodized</b>		
310553	12 ea. 3 in. standoffs	9
310503	1 ea. 3 in. standoff	1
310554	12 ea. 4 in. standoffs	10
310504	1 ea. 4 in. standoff	1
310556	12 ea. 6 in. standoffs	12
310506	1 ea. 6 in. standoff	1
310557	12 ea. 7 in. standoffs	13
310507	1 ea. 7 in. standoff	1
<b>Credit</b>		
990341	Lag bolt removal credit, per standoff	

### L-foot adjusting sliders

Includes 2 lag bolts with flat washers and s/s footing bolt with flange nut.



Part no.	Description	Nominal shipping data	
		inches	lbs.
310223	1 ea., mill finish		1
310224	20 ea., mill finish	11 x 9 x 4	18

**Other hardware and accessories**

Part no.	Description	Nominal ship wt. (lbs)
<b>Splice bars for threaded slot rails</b>		
310227	20 ea., dark bronze	10
310228	1 ea., dark bronze	1
310229	20 ea., clear	10
310230	1 ea., clear	1

**Flashings for steel standoffs (1 5/8" shafts)**

<i>No-Calk collar (Oatey # O-11840):</i>		
990101	12 ea., galvanized, 12 1/2" x 8 3/4" base	11
990110	1 ea., galvanized, 12 1/2" x 8 3/4" base	2
<i>No-Calk collar (Oatey # O-12920):</i>		
990102	12 ea., aluminum, 12 1/2" x 8 3/4" base	11
990111	1 ea., aluminum, 12 1/2" x 8 3/4" base	2
<i>No-Calk collar (Oatey # O-12836):</i>		
990103	12 ea., soft aluminum, 18" x 18" base	14
990112	1 ea., soft aluminum, 18" x 18" base	2

**Hanger bolts (stainless steel)**

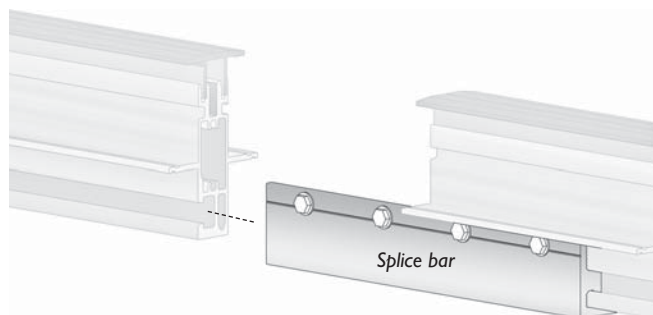
310025	1 ea. hanger bolt 3/8" x 8" with s/s hardware	1
310046	20 ea. 3/8" hanger bolts with s/s hardware	10
310026	1 ea. 3/8" hanger bolt driver	1

**Standard fasteners (stainless steel)**

990336	20 ea. s/s 3/8" x 3/4" bolts and flange nuts	3
990335	1 ea. s/s 3/8" x 3/4" bolt and flange nut	3
990338	20 ea. s/s 3/8" x 1 1/4" bolts and flange nuts	3
990337	1 ea. s/s 3/8" x 1 1/4" bolt and flange nut	3

**Cable ties and shims**

990104	100 ea. push mount cable ties, black	1
990105	20 ea. 1/16" shims (blue plastic)	
990106	20 ea. 1/8" shims (red plastic)	
990107	20 ea. 1/4" shims (black plastic)	
990108	20 ea. tapered shims (black plastic)	



**Conduit Strap** NEW!

Conduit strap wire management fits into each rail's 3/8" slot and with a quick quarter turn, firmly snaps into place without tools or the need to drill additional holes. Made of nylon 6 with UV stabilizer, it sits under the module to anchor 3/4" conduit or cables along the rail with the added ability to use standard wire ties if desired.



**3/4" Conduit Strap**

Part no.	Description	Qty
990130	3/4" Conduit Strap	10
990131	3/4" Conduit Strap	50
990132	3/4" Conduit Strap	100
990133	3/4" Conduit Strap	250
990134	3/4" Conduit Strap	500

